

Bredel Hose Pumps B.V.

A member of the Spirax-Sarco Engineering Group

Sluisstraat 7

P.O. Box 47

NL-7490 AA Delden

The Netherlands

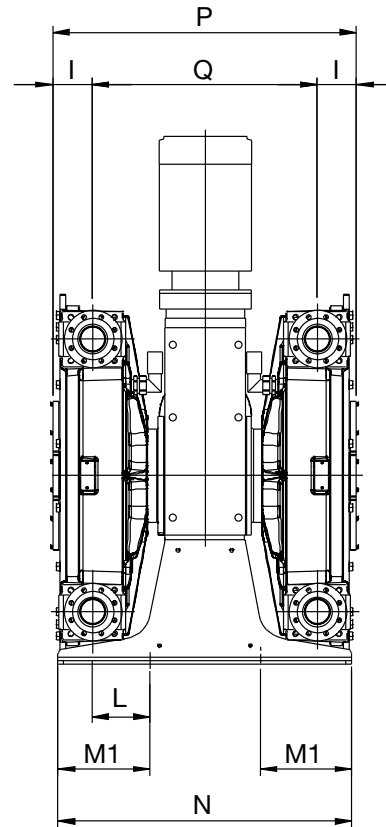
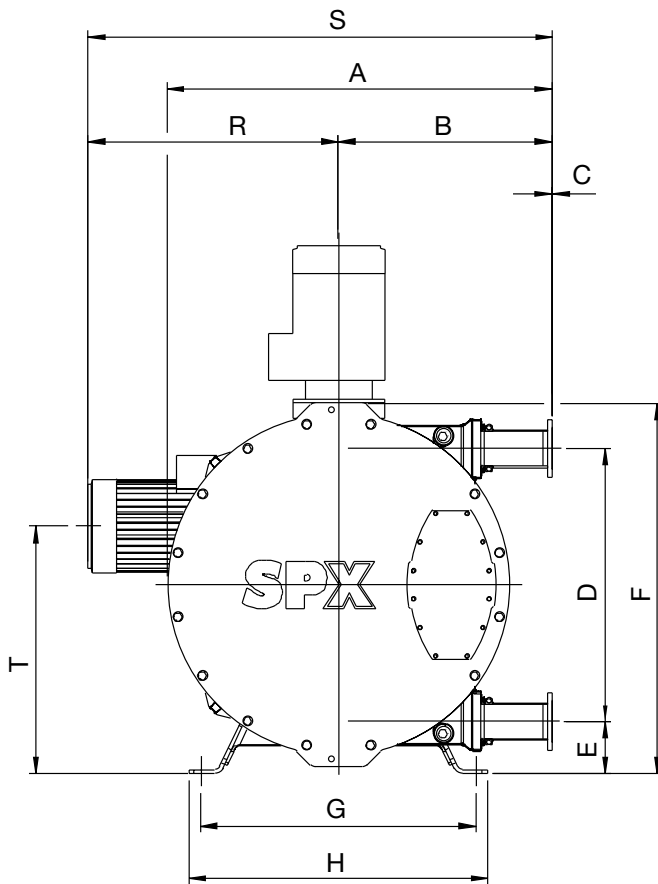
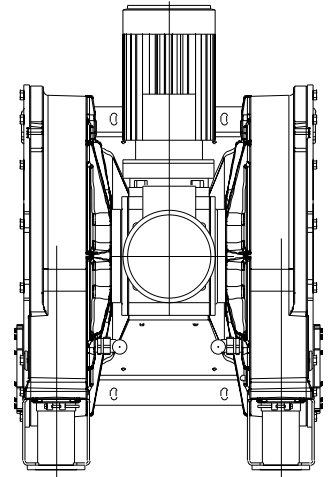
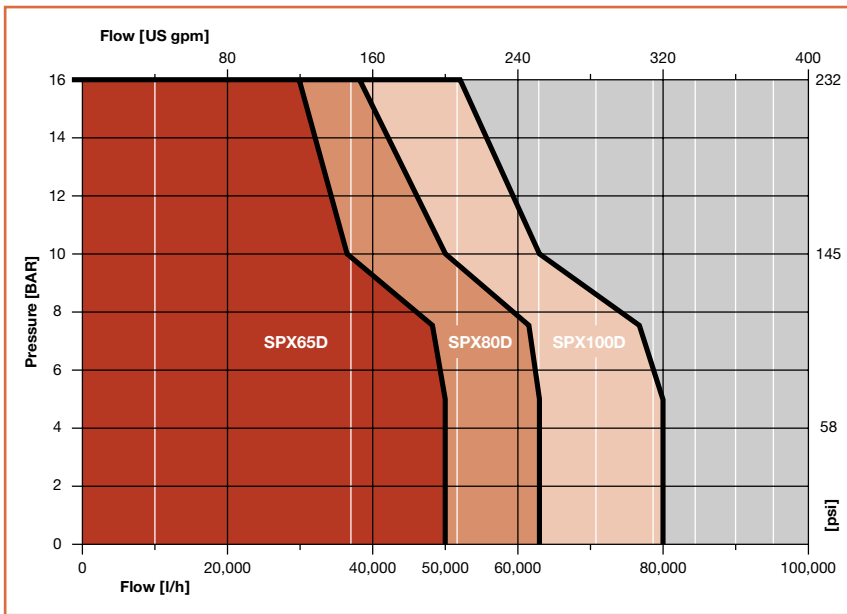
Tel.: +31 74 3770000

Fax: +31 74 3761175

Internet: www.bredel.comE-mail: hosepumps@bredel.com**SPX Duplex unit****Series SPX65D,
SPX80D and
SPX100D****Features**

- extremely small footprint
- improved pulsation behaviour
- 'in line' configuration optional
- standard IEC or NEMA electric motor
- direct coupled instead of close coupled
- sealless
- dry running capability
- leak free; contamination free
- abrasive, viscous, corrosive and shear sensitive liquids
- low cost of ownership
- precision machined hoses
- 16 bar, max. 80 m³/hr

SPX Duplex Units



Type	A	B	C	D	E	F	G* max.	H	I	L* max.	M1	N* max.	P	Q	R	S	T
SPX65 Duplex	1055	580	3	746	152	1030	680	740	103	137	185	786	896	690	684	1264	810
SPX80 Duplex	1253	700	4	876	182	1211	900	990	123	153	275	1042	1044	798	865	1565	980
SPX100 Duplex	1468	815	4	1042	199	1402	1050	1140	150	173	310	1140	1166	866	940	1755	1105

* Contact your representative

The information contained in this document is believed to be correct but Bredel Hose Pumps B.V. accepts no liability for any errors it contains, and reserves the right to alter specifications without notice.

SPX and Bredel are registered trademarks. Bredel: worldwide supplier of industrial high pressure hose pumps.